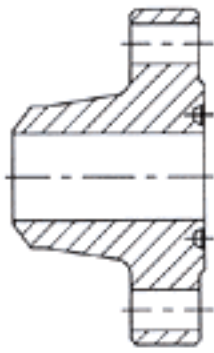
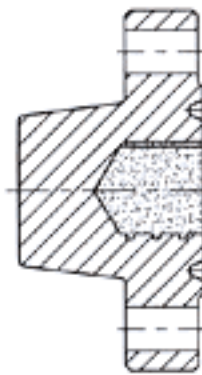


# API SPEC. 6A PRODUCTS

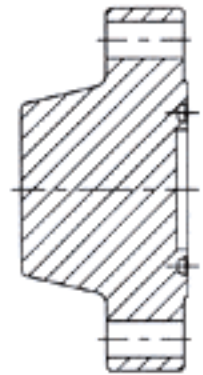
(A) WELD NECK FLANGE



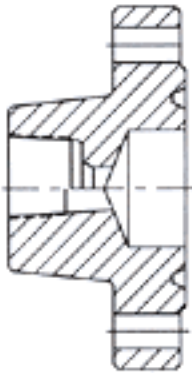
(B) LEADED TARGET FLANGE



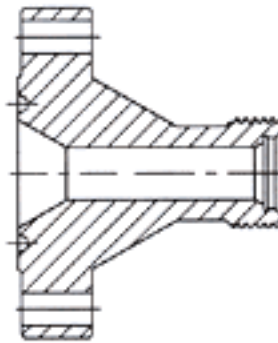
(C) BLIND FLANGE



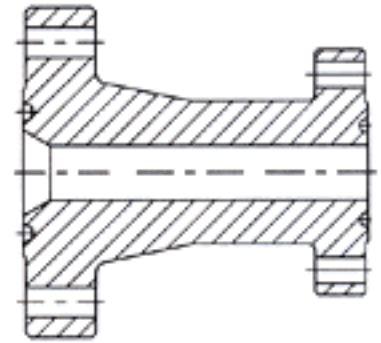
(D) TEST FLANGE



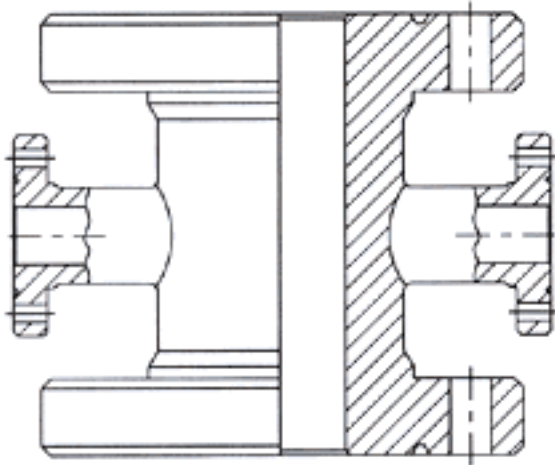
(E) ADAPTOR FLANGE



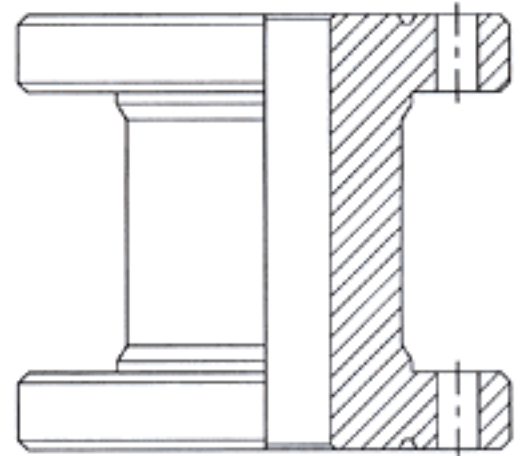
(F) X-OVER FLANGE



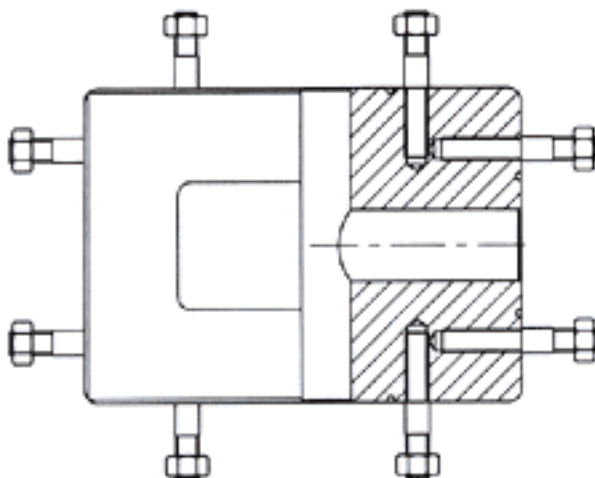
(G) MUD CROSS



(H) RISER SPOOL



(I) STUDDED CROSS



(J) FLANGED TEE

